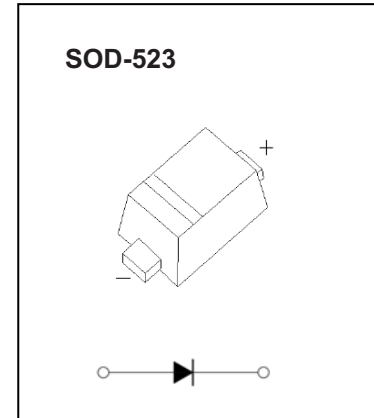


RB531S-30 SCHOTTKY BARRIER DIODE

FEATURES

- Low I_R
- High reliability
- Ultra small mold type

MARKING: N



Maximum Ratings @ $T_A = 25^\circ\text{C}$ unless otherwise specified

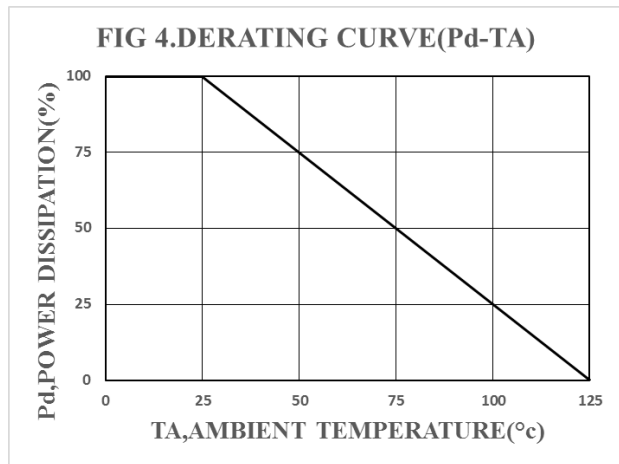
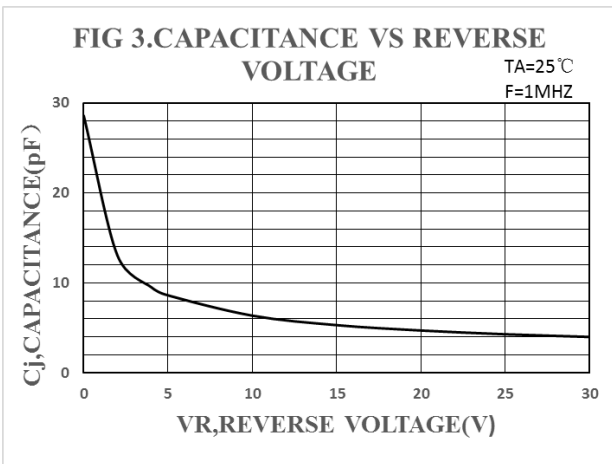
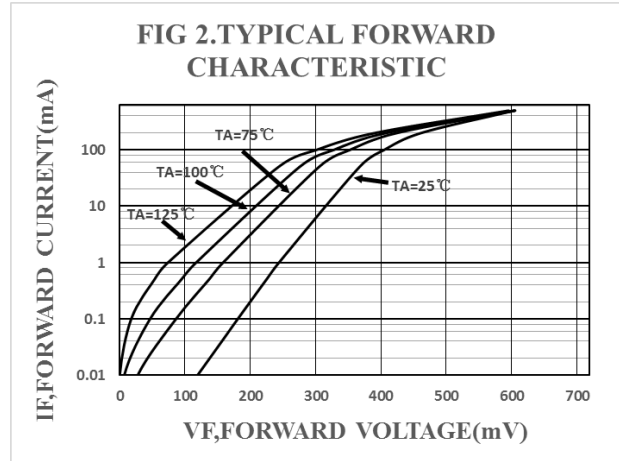
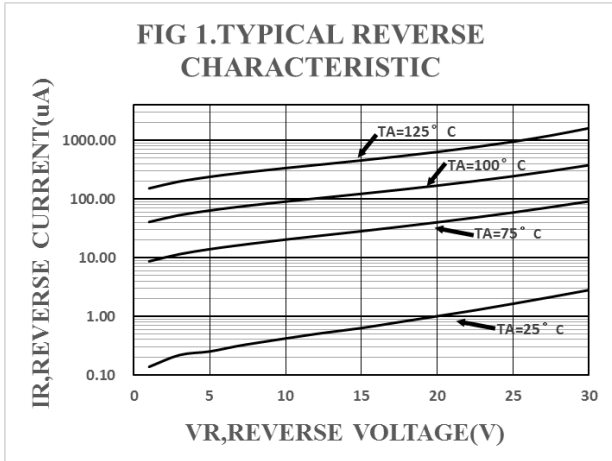
Parameter	Symbol	Limits	Unit
Reverse voltage(DC)	V_R	30	V
Average rectified forward current	I_o	100	mA
Forward current surge peak(60Hz/1cyc)	I_{FSM}	500	mA
Power Dissipation	PD	200	mW
Junction temperature	T_j	125	$^\circ\text{C}$
Storage temperature	T_{stg}	-40to+150	$^\circ\text{C}$

Electical voltage ($T_a=25^\circ\text{C}$)

Parameter	Symbol	Min.	Typ.	Max.	Unit	Conditions
Forward voltage	V_F	-	-	0.35	V	$I_F=10\text{mA}$
Reverse current	I_R	-	-	10	μA	$V_R=10\text{V}$



Typical Characteristics

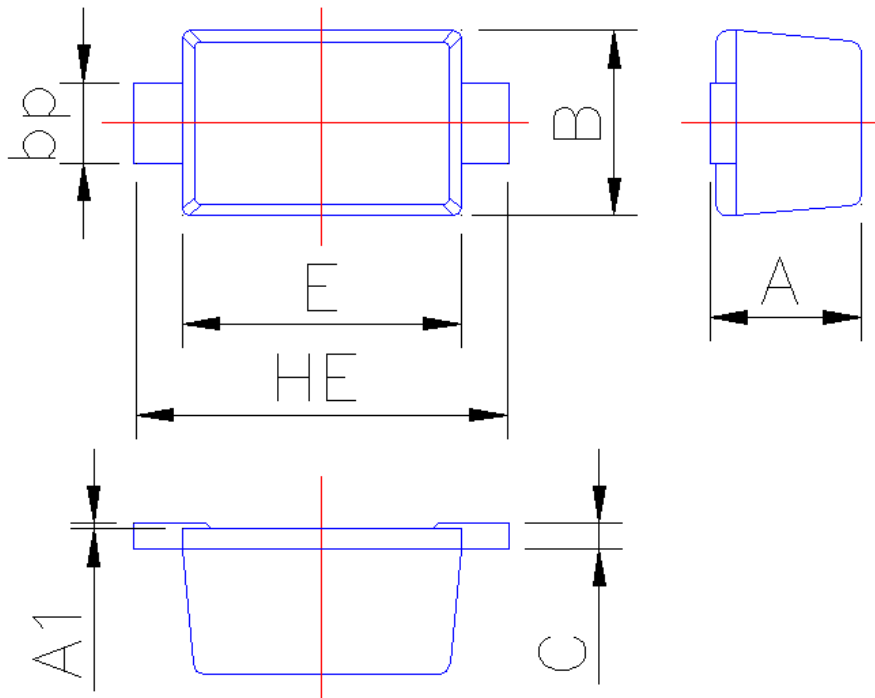




PACKAGE OUTLINE

Plastic surface mounted package; 2 leads

SOD-523



Symbol	Dimension in Millimeters	
	Min	Max
A	0.60	0.70
A1	0	0.05
B	0.75	0.85
bp	0.25	0.40
C	0.09	0.15
E	1.15	1.25
HE	1.50	1.70